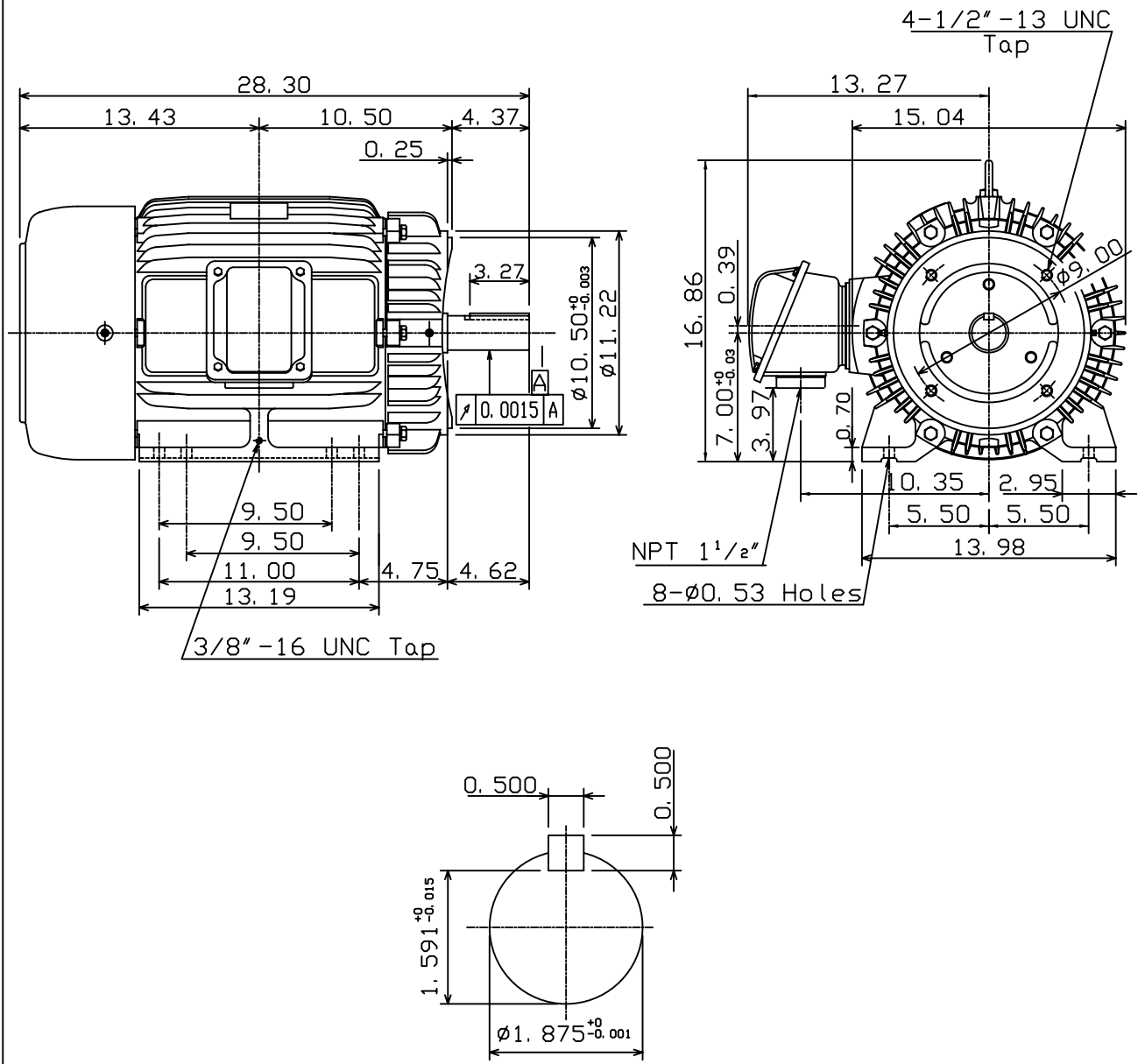


DATE January 20, 2009	OUTLINE DIMENSIONS 3-PHASE INDUCTION MOTOR	MOTOR TYPE: AEHH8B-CF
CAT. #:		FRAME NO. 286TC

Pole	HP	kW	Hz	VOLT	Syn. Speed r/min(rpm)
4/6/8

Ins	Rating	Dimension in	Approx Weight	Bearings	
F	CONT.	inches	490 LBS	DE: 6311ZC3	NDE: 6310ZC3

Totally Enclosed Fan-Cooled Type. Squirrel-cage Rotor.



- Note:
1. Motor Vibration: 15 μ .
 2. Inpro/Seal in Both End Brackets

01.03.09		
----------	--	--

DWN. ???????	10-01-04	TEC   Westinghouse	DWG NO.
CHKD. ???????	01-02-09		31049M628422
APPD. ???????	01-02-09		